

Technical Data Sheet

Ref: TDS-07-ITS-03

Security & Ironmongery Universal Intumescent Deadlock Kit

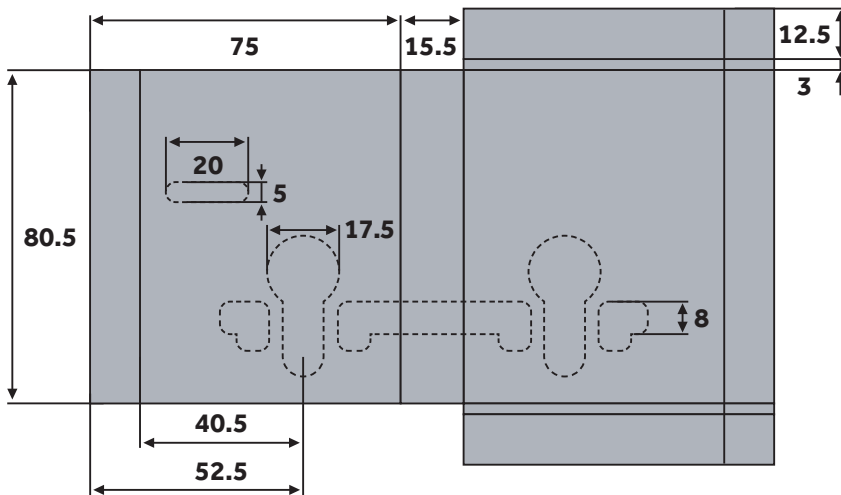
Features

- Can expand up to 30 times its original volume.
- Lock kits produced with score lines to allow for multi-backset applications.
- Precision cut outs for bolt-through fixings and moving parts.
- Safe to handle and easy to use (no PPE required).
- Completely non-toxic, non-fibrous and dust free.
- Self extinguishing binder.
- Suitable for 30 & 60 minute timber applications.
- Unaffected by moisture, humidity, atmospheric pollution and other common industrial and household chemical.
- Excellent temperature insulation before and after exfoliation.
- Tested to BS476 part 22 and BS EN 1634-1.

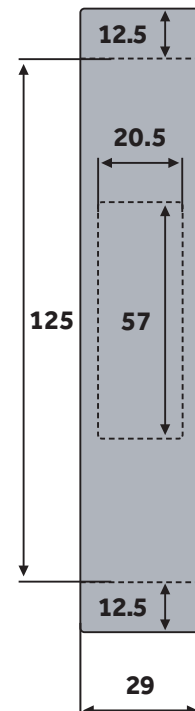
Dimensional Data

Product Code: **487677**

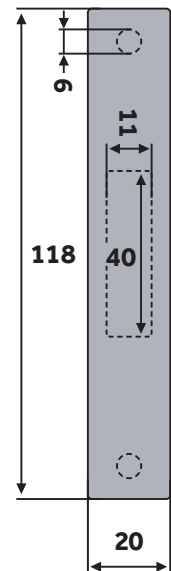
Lock Body



5 Lever/Euro Profile



3 Lever



Forends

