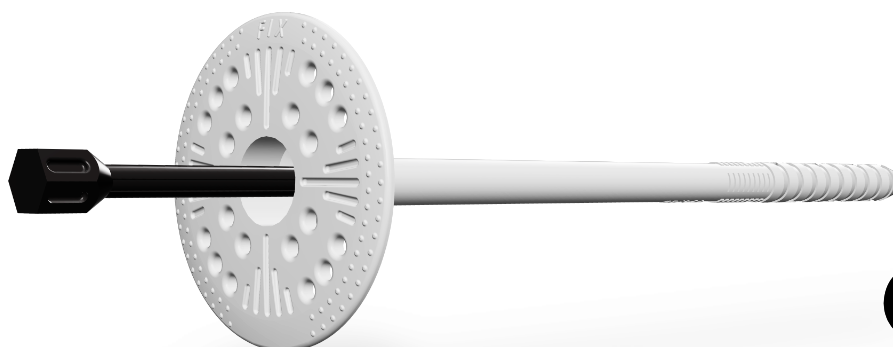


Fastener with a plastic nail **FIX-PA** **FIX-PA-K**



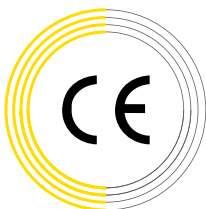
Product information

▶ **European Technical Assessment**
ETA-19/0573

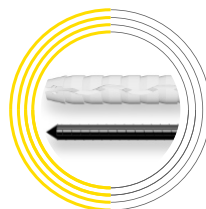
▶ **Material:**
sleeve - polypropylene
nail - polyamide

▶ **Use:**
for mechanical fixing of external thermal insulation composite system in building materials with utility categories: **A, B, C, D, E.**

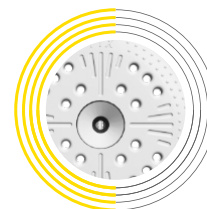
Products **FIX** series have obtained the European Technical Assessment **ETA-19/0573**, which ensures the **highest quality**, meeting the needs of the most demanding customers.



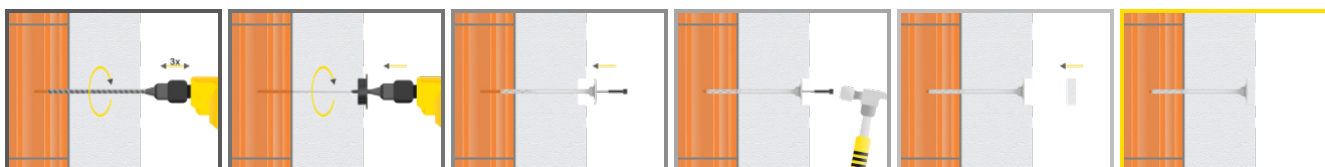
New construction of **expansion zone**, which allows **35mm** or **70mm** length of anchoring zone. FIX-PA type is equipped with nail made of high quality virgin polyamide.



The new shape, which makes the plate with a diameter of 60 mm **more stiff and durable**. Product is made of polypropylene.

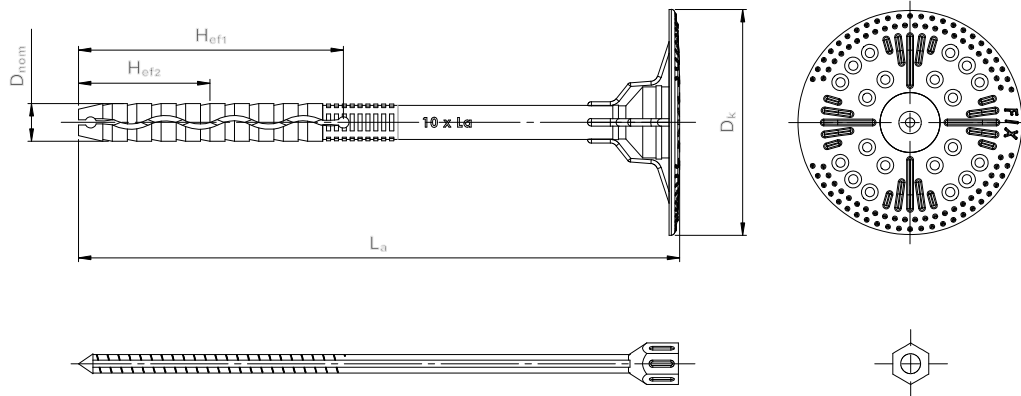


Instalation instruction



1. Drill the hole perpendicular to the substrate surface. Clean the drill hole.
2. Drill the recess for immersed installation with the tool ZP-FS.
3. Place the anchor into the drilled hole. The bottom side of the plate must be flush with the ETICS.
4. Drive in the specific nail with the hammer.
5. Insert the insulation cover.
6. Installed condition.

Specification



INDEX	Diameter	Length	Plate diameter	Anchorage depth	
	D_{nom} [mm]	L_a [mm]	D_k [mm]	H_{ef1} (FIX-PA) [mm]	H_{ef2} (FIX-PA-K) [mm]
FIX-PA / FIX-PA-K 10x100	10	100	60	70	35
FIX-PA / FIX-PA-K 10x120	10	120	60	70	35
FIX-PA / FIX-PA-K 10x140	10	140	60	70	35
FIX-PA / FIX-PA-K 10x160	10	160	60	70	35
FIX-PA / FIX-PA-K 10x180	10	180	60	70	35
FIX-PA / FIX-PA-K 10x200	10	200	60	70	35
FIX-PA / FIX-PA-K 10x220	10	220	60	70	35
FIX-PA / FIX-PA-K 10x240	10	240	60	70	35
FIX-PA / FIX-PA-K 10x260	10	260	60	70	35
FIX-PA / FIX-PA-K 10x280	10	280	60	70	35
FIX-PA / FIX-PA-K 10x300	10	300	60	70	35

Fasteners from the FIX series are products with a long anchoring zone of 70 mm (FIX-M) and short anchoring zone of 35 mm (FIX-M-K), which allows for installation in two different ways with one and the same sleeve.

Strength parameters

BASE MATERIAL	Concrete C12/15	Concrete C16/20-C50/60	Clay bricks, Mz	Calcium silicate bricks, KS	Calcium silicate hollow blocks, KSL	Vertically perforated clay bricks, Hiz	Porotherm 25	Lightweight aggregate concrete, LAC	Autoclaved aerated concrete, AAC2-AAC7
Utility category									
	A	A	B	B	C	C	C	D	E
Drill method									
	hammer	hammer	hammer	hammer	hammer	rotary	rotary	rotary	rotary
Characteristic resistance to tension load									
FIX-PA (70mm) [kN]	-	-	0,60	0,60	0,60	0,25	0,20	-	0,50
FIX-PA-K (35mm) [kN]	0,70	1,00	0,50	0,50	0,50	0,50	0,20	1,00	0,45

Fastener type	FIX-PA / FIX-PA-K	
Load resistance of the plate	[kN]	1,50
Plate stiffness	[kN/mm]	0,3
Point thermal transmittance	[W/K]	0,001

Logistic

INDEX	Fastener			Quantity		Weight		EAN code
	Diameter [mm]	Length [mm]	Plate diameter [mm]	Single package [pcs.]	Palette [pcs.]	Single package [kg]	Palette [kg]	
FIX-PA / FIX-PA-K 10x100	10	100	60	100	12000	1,2	163	5908275918288
FIX-PA / FIX-PA-K 10x120	10	120	60	100	12000	1,3	173	5908275918295
FIX-PA / FIX-PA-K 10x140	10	140	60	100	12000	1,4	190	5908275918301
FIX-PA / FIX-PA-K 10x160	10	160	60	100	12000	1,6	212	5908275918318
FIX-PA / FIX-PA-K 10x180	10	180	60	100	9600	1,8	194	5908275918325
FIX-PA / FIX-PA-K 10x200	10	200	60	100	9600	2,0	210	5908275918332
FIX-PA / FIX-PA-K 10x220	10	220	60	100	9600	2,1	223	5908275918349
FIX-PA / FIX-PA-K 10x240	10	240	60	100	6400	2,2	161	5908275918356
FIX-PA / FIX-PA-K 10x260	10	260	60	100	6400	2,3	170	5908275918363
FIX-PA / FIX-PA-K 10x280	10	280	60	100	6400	2,5	181	5908275918370
FIX-PA / FIX-PA-K 10x300	10	300	60	100	6400	2,6	189	5908275918387