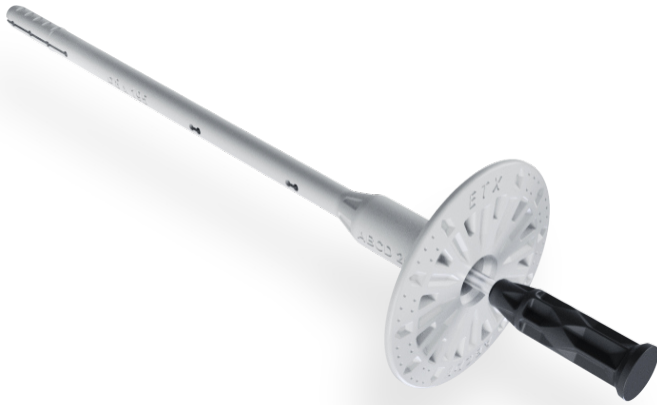
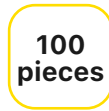
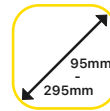
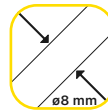


Fastener ETX-M



Nailed in plastic anchors with a metal-plastic specific nail for fixing of external thermal insulation composite systems with rendering



Product description

ETX fastener is a product with a wide range of applications. It can be fixed in any category of substrate. With a diameter of 8mm and a short anchoring zone (ABCD: 25mm, E: 45mm), much better strength parameters are achieved, as well as installation time is significantly reduced.

Features and Benefits

- ▶ Quality confirmed by the European CE certificate.
- ▶ Advanced plugs for polystyrene equipped with a metal pin with a plastic cover.
- ▶ Quicker installation, by using the shortest possible anchoring zone.
- ▶ The new design of the anchoring zone with a diameter of 8mm influenced to increase the strength parameters (up to 1,3 kN).
- ▶ Very high plate stiffness: 1,0kN/mm.
- ▶ Can be installed with optional TDW pressure plates.

Applications

- ▶ Facade insulation system (ETICS)
- ▶ Styrofoam plates
- ▶ Mineral wool plates
- ▶ Polyurethane plates
- ▶ Cork
- ▶ Wood wool plates

Material

- ▶ Sleeve – polypropylene
- ▶ Pin – galvanized steel with a plastic insulator

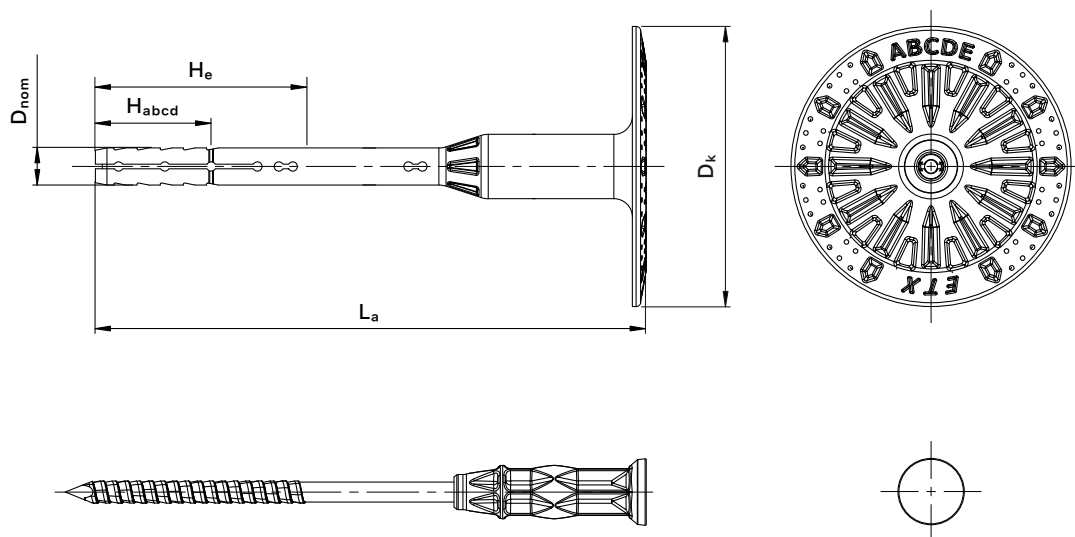
Approval

- ▶ European Technical Assessment ETA-23/0351

Substrate categories

- ▶ **A** - Concrete C12/15, Normal concrete of class C20/25 – C50/60
- ▶ **B** - Solid clay brick MZ, Solid silicate brick KS
- ▶ **C** - Perforated silicate brick KSL, Hollow brick Hlz, Porothersm 25
- ▶ **D** - Lightweight aggregate concrete LAC
- ▶ **E** - AAC2-AAC7 Autoclaved aerated concrete

Product information



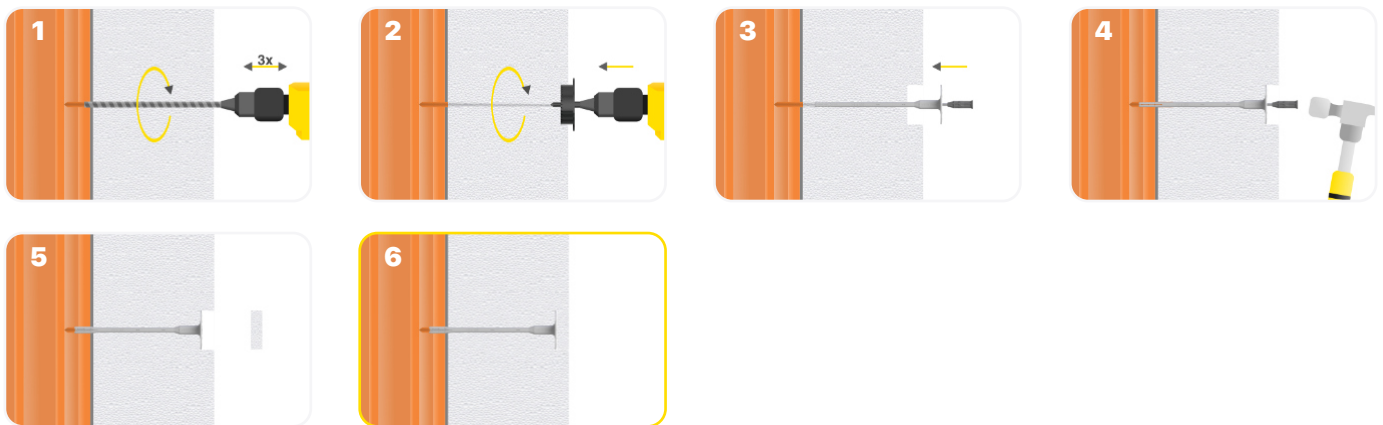
Type	Diameter D_{nom} [mm]	Length L_a [mm]	Plate diameter D_k [mm]	Effective anchoring depth H_{abcd} / H_e [mm]	Mounting hole depth ABCD / E [mm]	Recommended thickness of ETICS for cat. ABCD (countersunk assembly) [mm]	Recommended thickness of ETICS for cat. E (countersunk assembly) [mm]
ETX-M 8x75	8	75	60	25 / 45	35 / 55	40 (60)	20 (40)
ETX-M 8x95	8	95	60	25 / 45	35 / 55	60 (80)	40 (60)
ETX-M 8x115	8	115	60	25 / 45	35 / 55	80 (100)	60 (80)
ETX-M 8x135	8	135	60	25 / 45	35 / 55	100 (120)	80 (100)
ETX-M 8x155	8	155	60	25 / 45	35 / 55	120 (140)	100 (120)
ETX-M 8x175	8	175	60	25 / 45	35 / 55	140 (160)	120 (140)
ETX-M 8x195	8	195	60	25 / 45	35 / 55	160 (180)	140 (160)
ETX-M 8x215	8	215	60	25 / 45	35 / 55	180 (200)	160 (180)
ETX-M 8x235	8	235	60	25 / 45	35 / 55	200 (220)	180 (200)
ETX-M 8x255	8	255	60	25 / 45	35 / 55	220 (240)	200 (220)
ETX-M 8x275	8	275	60	25 / 45	35 / 55	240 (260)	220 (240)
ETX-M 8x295	8	295	60	25 / 45	35 / 55	260 (280)	240 (260)

Characteristic resistance

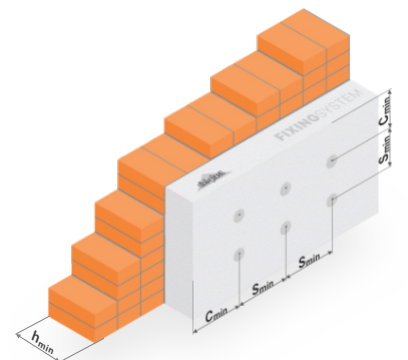
Substrate	Concrete C12/15	Concrete C16/20 ÷ C50/60	Thin concrete members C16/20 ÷ C50/60	Clay brick MZ	Calcium silicate brick KS	Calcium silicate hollow block KSL, a=40mm	Vertically perforated clay bricks Porotherm 25, a=12mm	Vertically perforated clay bricks Porotherm 25, a=17mm	Lightweight concrete hollow block HBL, a=33mm	Lightweight concrete hollow block Tekno Amerblok PK17,8 a=30mm	Lightweight concrete hollow block Tekno Amerblok PK19 a=30mm	Lightweight concrete block LAC	Autoclaved aerated concrete block AAC2	Autoclaved aerated concrete block AAC7	
	Substrate categories														
	A	A	A	B	B	C	C	C	C	C	C	D	E	E	
Drilling method															
	hammer	hammer	hammer	hammer	hammer	hammer	rotary	rotary	rotary	rotary	rotary	rotary	rotary	rotary	
Characteristic resistance [kN]															
H _{abcd} - 25mm	0,90	1,30	1,30	1,30	1,30	1,30	0,50	0,70	0,60	1,30	1,30	0,60			
H _e - 45mm													0,50	0,90	

Fastener type	ETX-M	
The strength of the plate	[kN]	1,95
The stiffness of the plate	[kN/mm]	1,0
Point thermal conductivity	[W/K]	0,002

Installation instructions



The minimum thickness of the substrate	$h_{min} \geq [mm]$	100
Minimum spacing of fasteners	$S_{min} \geq [mm]$	100
Minimum spacing of fasteners	$C_{min} \geq [mm]$	100
Recommended number of pieces	pieces / m ²	6-8 / m ²
Recommended number of pieces at the corners of the building	pieces / m ²	8-10 / m ²



Logistics information

Type	Index	Quantity [pcs]		Weight [kg]		EAN code
		Unit package (carton)	Pallet (120x80x180 [cm])	Unit package (carton)	Pallet (120x80x180 [cm])	
ETX-M 8x75	EM075	100	10000	1,80	210	5907812671884
ETX-M 8x95	EM095	100	10000	2,15	235	5907812671150
ETX-M 8x115	EM115	100	10000	2,40	260	5907812671167
ETX-M 8x135	EM135	100	10000	2,75	295	5907812671174
ETX-M 8x155	EM155	100	10000	3,00	320	5907812671181
ETX-M 8x175	EM175	100	8400	3,25	293	5907812671198
ETX-M 8x195	EM195	100	8400	3,50	314	5907812671204
ETX-M 8x215	EM215	100	8400	3,80	339	5907812671211
ETX-M 8x235	EM235	100	5600	4,15	252	5907812671228
ETX-M 8x255	EM255	100	5600	4,45	269	5907812671235
ETX-M 8x275	EM275	100	5600	4,70	283	5907812671242
ETX-M 8x295	EM295	100	5600	5,00	300	5907812671754